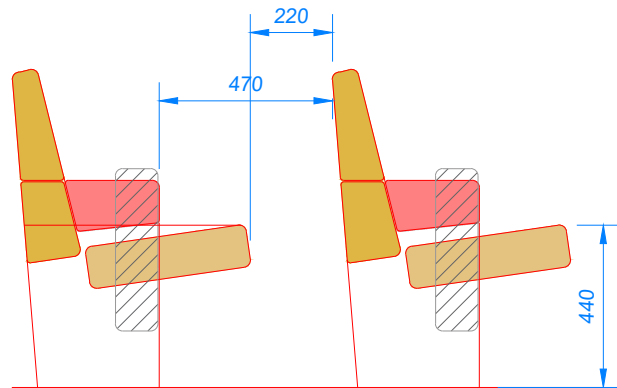
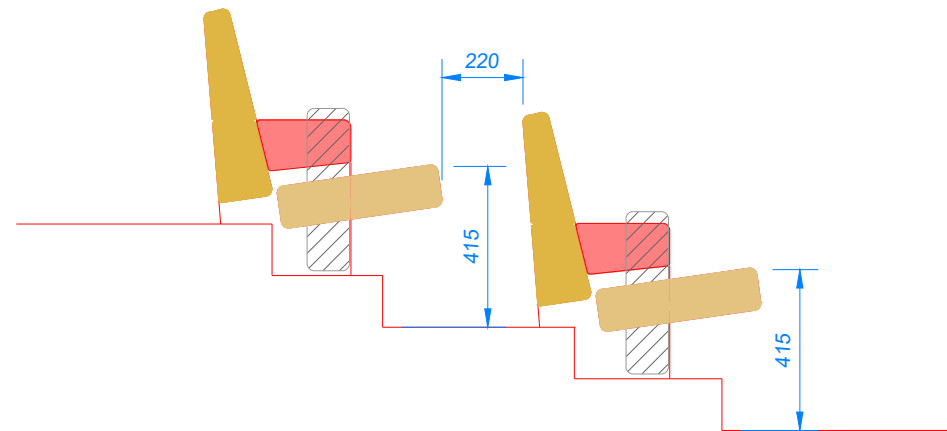


Auditorium seat front elevation - typical



Width between arms 460mm
Auditorium flat floor



Width between arms 460mm
Auditorium tiered seating